

Releasing the Tablet from the Cradle

1. Unlock the Cradle with the key, then slide the latch on the bottom of the Cradle to loosen the Top Clasp.
2. Using two hands, hold the Tablet on both sides, pull the tablet up to remove the Tablet from the Cradle.

NOTE: For proper operation, make sure all necessary connections are in place before powering on the Tablet.

Specifications

	Table Mount Cradle for DT301, DT311 and DT313 Series	Table Mount Cradle for DT340T
Dimensions (H x W x D)	263 x 177 x 73 mm (for DT301 series) 277 x 177 x 73 mm (for DT311 series) 300 x 177 x 73 mm (for DT313 series)	318 x 201 x 69 mm
Weight	2.42lbs/ 1080g(for DT301 series) 2.42lbs/ 1080g(for DT311 series) 2.44lbs/ 1130g(for DT313 series)	3.4lbs/ 1540g
Temperature	Operation: 0°C – 40°C Storage: -20°C – 60°C	Operation: 0°C – 40°C Storage: -20°C – 60°C
Humidity	0% – 90% non-condensing	0% – 90% non-condensing
I/O Ports		
Ethernet	RJ45 connector for Ethernet x 1	RJ45 connector for Ethernet x 1
USB 2.0	4	2
DC-in	1	1
COM	1	1
HDMI-out	1	1

Technische Änderungen und Irrtum ohne Vorankündigung vorbehalten! Alle Rechte geschützt!

Tablet Mount Cradle

BASIC OPERATION GUIDE



INTRODUCTION

Thank you for acquiring the latest addition to tablet accessories – the Tablet Mount Cradle. Featuring compact, robust design, this cradle provides secure placement and charging of the tablets whether mounted in vehicles or on the wall. This innovative cradle provides connection ports and promotes ergonomic, efficient access and management of tablets..

Package Contents

- One (1) Tablet Wall Mount Cradle
- One (1) VESA Conversion Bracket
- Two (2) Keys
- Four (4) Silver Bushes for wall mounting
- Four (4) Black Nuts for VESA mounting
- Eight (8) M4 Screws

NOTE: The cradle you receive may look slightly different than the one in this picture based on the exact model ordered.

Front-View Layout

DT301/ DT311/ DT313 Tablet Mount Cradle

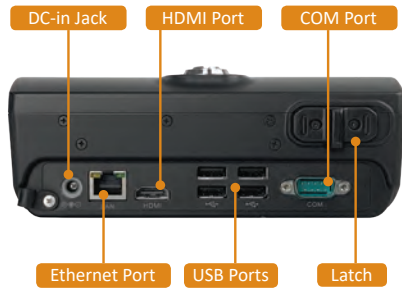


DT340T Tablet Mount Cradle

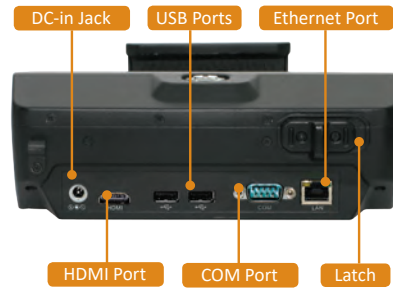


Bottom-View Layout

DT301/ DT311/ DT313
Tablet Mount Cradle Bottom-view



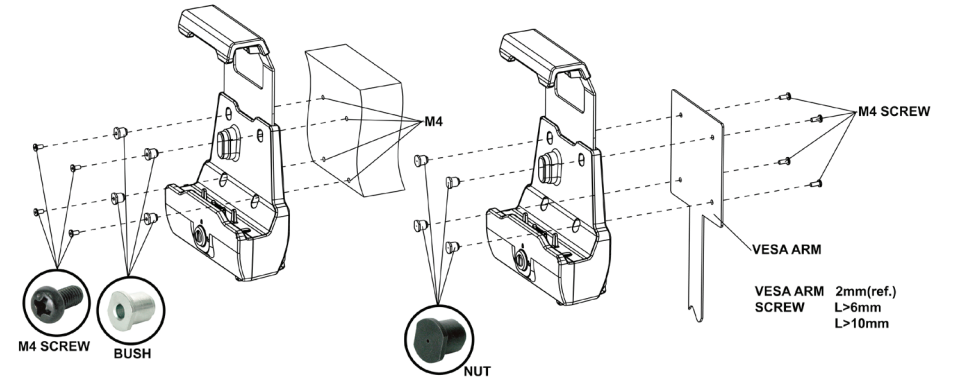
DT340T
Tablet Mount Cradle Bottom-view



OPERATION

Mounting the Cradle

The Tablet Mount Cradle supports VESA standard mounting options (75 mm x 75 mm) so it can be easily attached onto a wall, in a vehicle, and on a VESA arm.



NOTE: If using a 100 x 100 VESA stand or arm, the VESA Conversion Bracket is needed. Please place the VESA Conversion Bracket on the back side of the Cradle, and apply the four M4 screws.

Inserting the Mobile Tablet in the Cradle

1. Use the key to unlock, and slide the latch on the bottom of the Cradle to loosen the Top Clasp.
2. Insert the bottom part of the Tablet into the cradle first with the connector parts correctly lined up.
3. When the bottom of the Tablet is in place, push the Tablet against the back and into the Cradle.
4. Push down on the Top Clasp, so the top portion of the cradle slides down and locks into the locked-down position.
5. Lock the Cradle with the key.

