

The DT 312/ 362 Wall/ Vehicle Mount Cradle

Basic Operation Guide



1. Introduction

Thank you for acquiring the latest addition to our line of tablet device enhancements – the DT 312/ 362 Wall/ Vehicle Mount Cradle. Featuring a compact yet robust ABS plastic, this Cradle provides secure containment of DT 312/ 362 Mobile Tablet in vehicles or on the wall. Its innovative design promotes ergonomic and efficient use of DT 312/ 362 devices.

1.1. Package Contents

1. One (1) DT 312/ 362 Wall/ Vehicle Mount Cradle
2. One (1) VESA Conversion Bracket
3. Four (4) black Bushes for wall mounting
4. Four (4) silver Nuts for VESA mounting
5. Eight (8) M4 Screws

1.2. Front-View Layout



Figure 1: Front-View Layout



1.3. Bottom-view

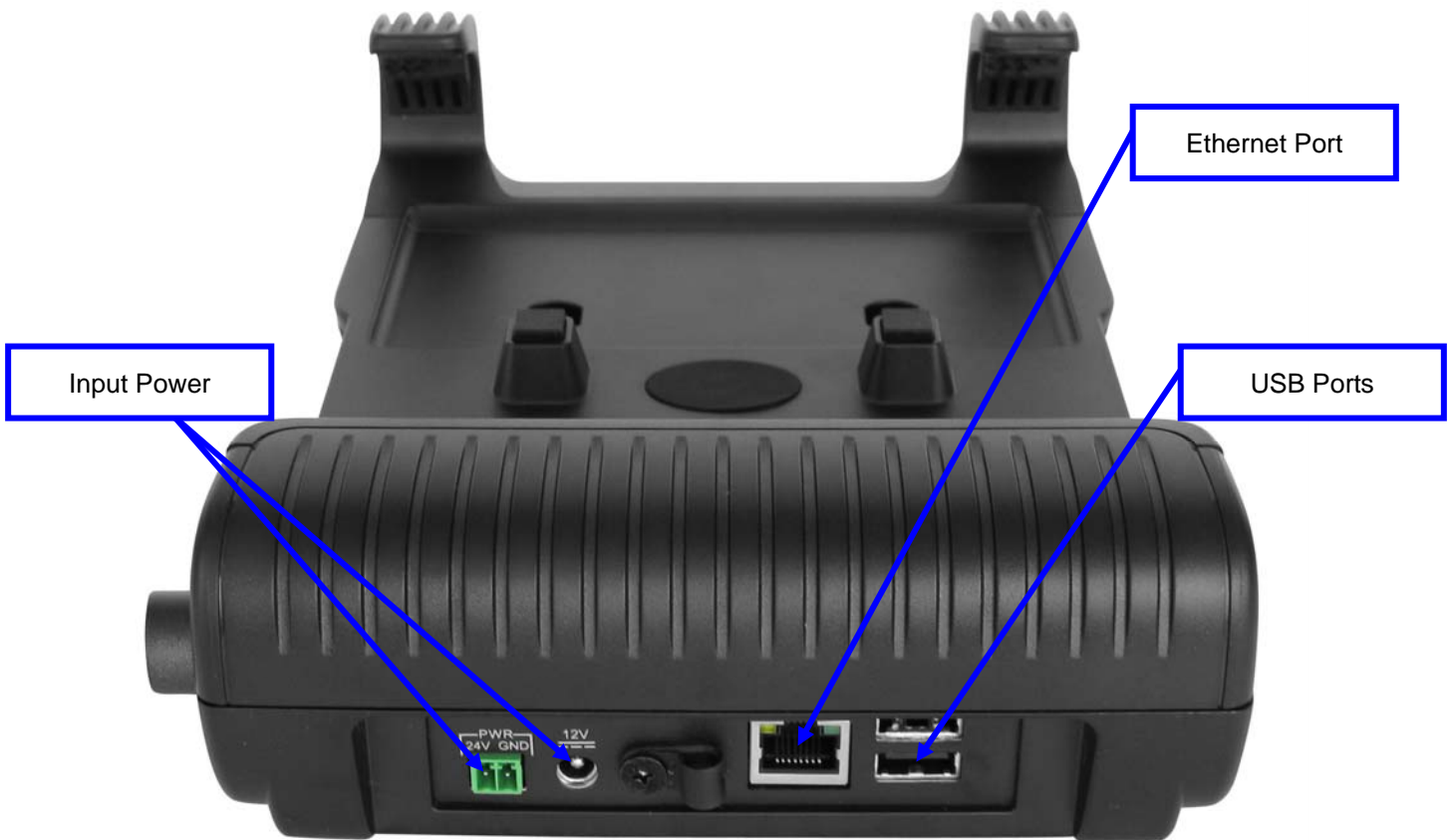
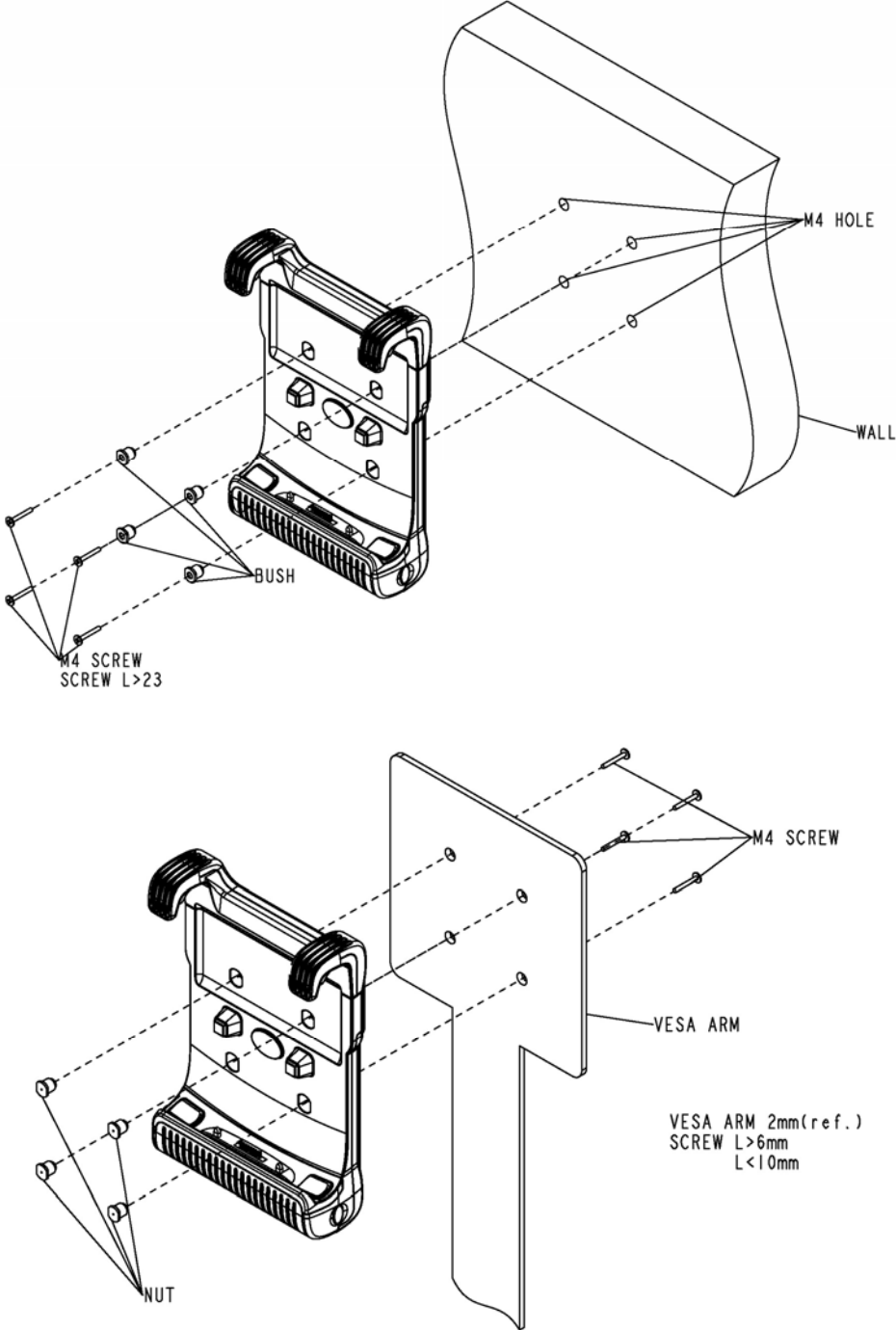


Figure 2: Bottom-View

2. Operation

2.1. Mounting the Cradle

The DT 312/ 362 Wall/ Vehicle Mount Cradle supports VESA standard mounting options (75 mm x 75 mm). You can mount the cradle on either the wall or on a VESA arm.



NOTE: If your stand or arm is 100 x 100 VESA, the VESA Conversion Bracket is needed. Please place the VESA Conversion Bracket on the back side of the Cradle, and apply the four M4 screws.

2.2. Connecting to the Cradle

Please refer to Section 1.3 for the following.

1. Connect the power cord to the Power port
2. Connect any USB devices to the USB Ports

2.3. Inserting the Tablet Device in the Cradle

1. Insert the bottom part of the tablet device into the cradle first with the connector parts correctly lined up
2. Once the bottom part is in place, push the device back against the cradle causing the Slide-Lock button to be pressed



3. Push down on the Top Clasp so the top portion of the cradle slides down and locks into the locked-down position



4. Press the locking device to the right to fix the Tablet device



2.4. Releasing the Tablet Device from the Cradle

1. Press the locking device to the left.
2. Use two hands hold the tablet on both sides, pull up tablet and top portion of the cradle simultaneously until stop.
3. Remove device from the Cradle.

NOTE: For proper operation of the device, make sure all necessary connections are in place before powering on the *DT Tablet*.



WETIF Industrie EDV
Senserstraße 3
D - 82140 Olching

Telefon DE +49 8142 448976-0
Telefon AT +43 664 28 68 223
info@wetif.com www.wetif.com

Techn. Änderungen ohne Vorankündigung und Irrtum vorbehalten. Alle Rechte geschützt.