

IM133T - Ultra Rugged Tablet PC

13.3" Intel® Core™ i5-8265U



KEY FEATURES

- Intel® Core™ i5-8265U Whiskey Lake processor
- 13.3" 1920 x 1080 IPS wide viewing angle LED Panel
- Magnesium alloy housing with all-around elastomeric rubber
- Built-in kickstand usable as carrying handle(indefinitely adjustable)
- IP65 waterproof and dustproof
- Optical bonding technology
- TPM 2.0



SPECIFICATIONS

Display			
Resolution	1920x1080	Size	13.3 inches
Contrast Ratio	1000:1	Panel Brightness	500.0 nits
View Angles	89,89,89,89	Type	Projected Capacitive Multi Touch
Bonding	Optical Bonding for Sunlight Viewability		
System Specification			
Processor	Intel Core i5-8265U 1.6GHz (up to 3.9GHz)	Memory	4GB SODIMM DDR4-2400 8GB SODIMM DDR4-2400 (Optional) 16GB SODIMM DDR4-2400 (Optional)
Storage	Storage 1: 1 x 128GB M.2 SSD Additional storage available with SDXC card slot Storage 1 up to 1x 1TB M.2 SSD (Optional) Storage 2 up to 1x 1TB M.2 SSD (Optional)	Security	Trusted Platform Module (TPM) 2.0 Kensington Lock
Operating System	Windows 10 IoT Enterprise LTSC (64 bit) Windows 11 IoT Enterprise SAC (64 bit) (Optional)	WLAN	Support
BT	Support	WWAN	4G LTE (Optional)
GNSS	GPS/GLONASS (Optional)		
Mechanical			
Dimension	338.2 x 240 x 30 mm (13.3 x 9.4 x 1.18 inches)	Weight	2.2kg (w/ kickstand)
Cooling System	Fanless thermal design		
IO Ports			
USB Port	4 x USB 3.0 Type A, 1 x USB 3.0 Type C	SD Card Slot	1 x SDXC Slot
SIM Card Slot	1 x Micro SIM card slot	Audio	2 x 1 watt speaker
LAN	1 x RJ45-10/100/1000 Mbps LAN	Indicator	4x LED Indicator for Power, Battery, SSD, RF status
Docking Connector	1 x Docking connector		
Environment			
Operating Humidity	30% to 80% RH, non-condensing	Operating Temperature	-10°C to 50°C (14°F to 122°F)
Storage Temperature	-20°C to 60°C (-4°F to 140°F)	Shock	MIL-STD-810G Method 516.6 Procedure I
Vibration	MIL-STD-810G Method 514.6 Procedure I	IP rating	IP65

Drop MIL-STD-810G Method 516.6, 4 ft

Certification CE, FCC

Security Function

Kensington Lock Kensington Lock Support

Control

Button 1 x Power, 1 x menu, 2 x volume key
3 x Programmable Function Keys

Camera

Rear Camera 1 x 8MP Rear Camera with auto-focus and LED light (Optional)

Power

Battery 15.4V, typ. 5900 mAh Li-Polymer Battery (4S1P) **Battery Operating Time** More than 10 hours (BAPCo TabletMark v3)

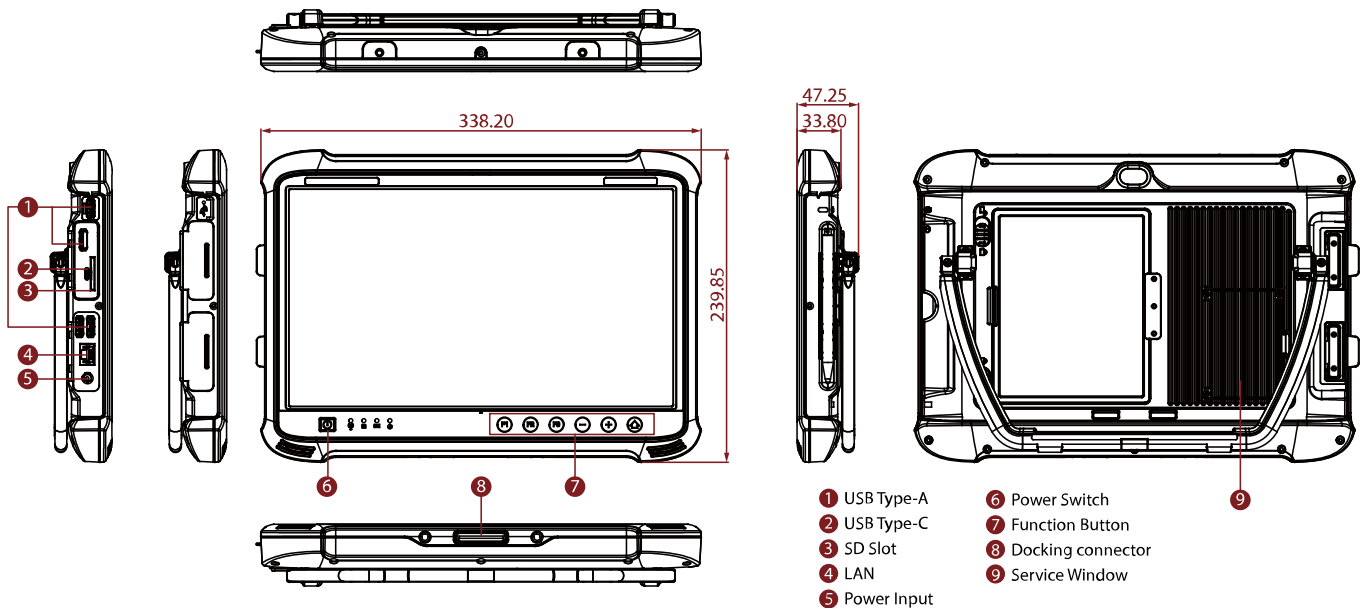
Power Rating 19V DC **Adapter** 100-240V, 50-60Hz / 19V DC

Accessory

Accessory Adapter and Power Cord
Standard Battery
Stylus
Stand with Integrated Handle

Optional Accessory Vehicle Charger (Optional)
Battery Charger (Optional)
Desk Docking (Optional)

DIMENSIONS UNIT:MM



NOTE

1. Total usable memory will be less dependent upon actual system configuration.
2. TPM 2.0 is available upon request.
3. Length measurements do not include protrusions. Weight varies with options.
4. Measured at dimming LCD brightness. Varies depending on the usage conditions, or when an external device is attached.
5. This is a simplified drawing and some components are not marked in detail.
6. The product shown in this datasheet is a standard model. For diagrams that contain customized or optional I/O, please contact the Winmate Sales Team for more information.

Technische Änderungen und Irrtum ohne Vorankündigung vorbehalten! Alle Rechte geschützt!

WETIF
industrie edv

WETIF Industrie EDV
Senserstrasse 3
D - 82140 Olching

Telefon +49 8142 448976-0
Telefax +49 8142 448976-4
Mobil +49 172 817 44 11

InfoTel +49 8142 448976-3
Email info@wetif.com
Internet www.wetif.com