

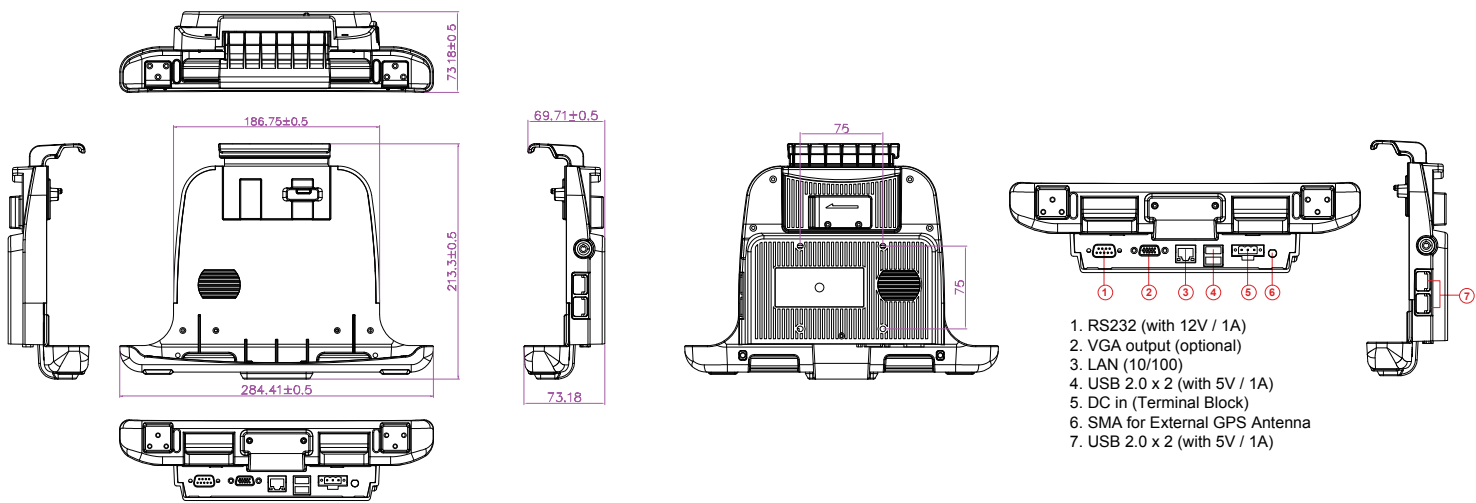
Vehicle Docking for $\approx 8\% \text{D1}$

Product Features:

- Hold the tablet stably on moving vehicle
- Anti-theft design with key lockable cradle
- Wide power voltage input (9~36V DC-in)
- IP52 design (Rain proof)
- VESA standard for various standard fixtures
- SMA connector for external GPS antenna
- Optional VGA output



Mechanical Drawing

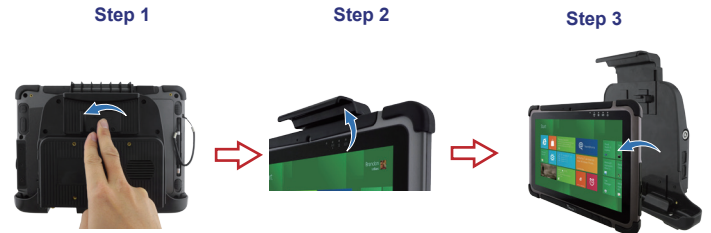


One hand docking :



- 1 Insert the Tablet PC into the docking
2. Push down the hook, the lock will lock automatically

One hand undocking :



- 1.Slide the latch to open the hook
- 2.Remove the Tablet from docking

Specification

Dimension		284.41 x 213.3 x 73.18 mm
Power Input		9~36V DC In
I/O Support	Bottom	RS232 x 1, USB 2.0 x 2, LAN x 1 VGA x 1 (optional), SMA x 1 (for external GPS antenna) 3-Pin Terminal Block x 1 (DC IN)
	Side	USB 2.0 x 2
Mounting		75 x 75mm VESA Mount
Vibration		MIL Std. 810G, 5 ~ 500Hz, 2.24G