

Fi [[YX'DUbY'D7.'K D7, (E

Product Features:

- Ultra Low Bay Trail N2930 1.83GHz Processor Fanless Design
- High Quality 8.4" Panel, 800 x 600 resolution
- Full IP65 Dust / water resistant Protection (Except I/O parts)
- Aluminum Housing with Anti-Corrosion Treatments
- Anti-Shock and Vibration Standard according to MIL810F & IEC60068-2-27
- 4 Wire Resistive Touchscreen / Anti-Reflection Protection Glass (Optional)
- 802.11b/g Wireless LAN with Antenna (Optional)
- Wide Range 9 to 36V DC Input, optional 6 to 60V, optional ignition on/off feature
- Compliance With EN50155

Product Specifications:

Display	Model Name	Y ÚÒì I Ù
	Size	8.4"
	Resolution (pixels)	800 x 600
	Number of Colors	262,144 (6bits/color)
	Brightness (cd/m ²)	400 (typ.)
	Contrast Ratio	600 :1 (typ.)
	Viewing Angle	-75 ~ 75 (H) ; -70 ~ 60 (V)
System	Active Area	170.4 (H) x 127.8 (V)
	Touch (optional)	4 wire / 5 wire resistive
	Processor	Intel@Bay Trail N2930 1.83Ghz Processor
	Chipset	Bay Trail SoC Chipset
	BIOS	AMI 16Mbit Flash
	Memory	1xDDR3L 1066 MHz SO-DIMM Max. 8GB
	Ethernet	Intel@WG82574L GbE LAN
	Storage	mSATA SSD
	Expansion Slot	1 x Mini PCIe
	Wireless (Optional)	1 x Mini PCIe base Wireless LAN card with SMA antenna
Input / Output	Back Panel I/O Port	2 x RJ-45 (10/100/1000 Mbps) 1 x HDMI 1 x DC-in Jack (Phoenix type) 1 x USB 3.0, 1 x USB 2.0 1 x RS232/422/485, 1 x RS232 WLAN antenna SMA in top (Optional)
	Environment	Operating Temperature -25 deg.C to 55 deg.C Storage Temperature -30 deg.C to 70 deg.C Humidity 10% to 95% (non condensing) Shock* Operating:30g for 18ms, 300m/s ² Vibration* Operating: 1.60/1.96/2.18 g rms for XYZ / 5-500Hz Power Input 9~36V DC in (Phoenix type), 6~60V option, ignition option Power Consumption 28.5W typ.
	Mechanical	Dimensions (W x L x H) 277 mm x 219.5 mm x 59.7 mm
	Driver OS Support	Windows Embedded 7 / Windows Embedded 8* <small>*For Windows Embedded 8, this panel pc does not support the Metro UI, only support desktop mode</small>
Certifications	CE/FCC ClassB, MIL810F / IEC60068-2-27 for Vibration / Shock	
Packing List	(IB32) SBC Manual & Driver CD	
Product Optional Items	Mounting Bracket and Kits	One robust bracket with locking handle (Can adjust from -5 deg.C to 90 deg.C)
	Sunlight Readable	N/A
	Anti-reflective Glass	3mm (Replace touch)
	WLAN	Mini PCIe base Wireless LAN card with SMA antenna
	GPS	USB interface, MTK chip



Fanless



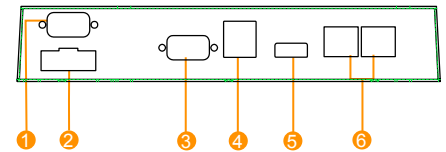
Wide Temp



IP65

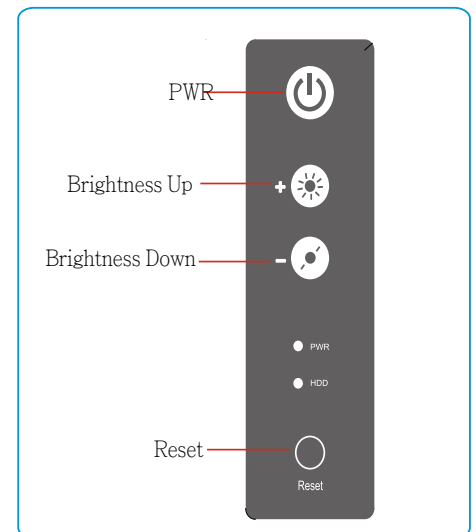


I / O View:

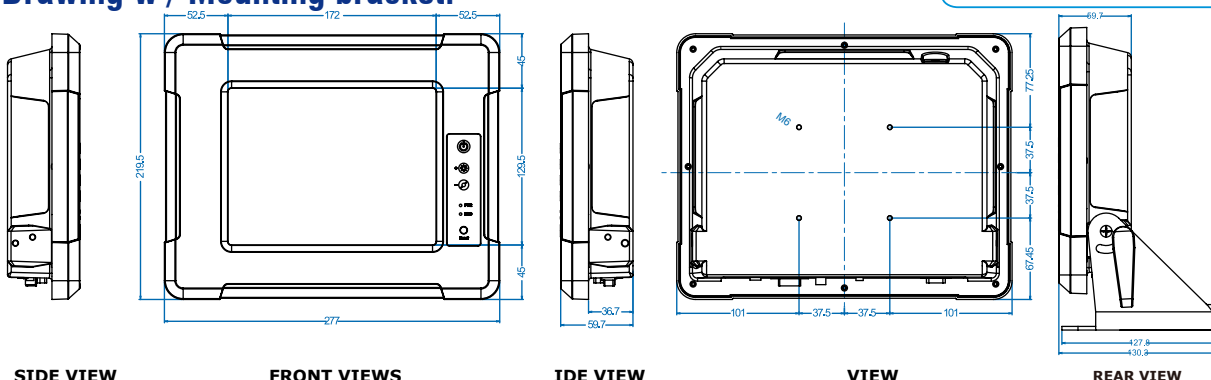


1. RS-232 (Optional)
2. 9~36V Terminal Block
3. RS-232
4. 1xUSB 3.0, 1xUSB 2.0
5. HDMI
6. 2xRJ45

Front OSD Control Function:



Drawing w / Mounting bracket:



SIDE VIEW

FRONT VIEWS

IDE VIEW

VIEW

REAR VIEW



WETIF Industrie EDV
Senserstraße 3
D - 82140 Olching

Telefon DE +49 8142 448976-1
Telefax DE +49 8142 448976-4
Internet www.WETIF.com

Telefon AT +43 664 2868223
Telefax AT +43 662 998799411
eMail info@wetif.com