

Rugged Panel PC: WPC15i5

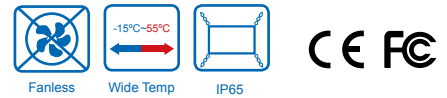
Product Features:

- 7 Generation (kaby Lake) Intel® Core™ i5-7200U 2.5GHz (turbo to 3.1GHz)
- High Quality 15" Panel, 1024*768 resolution, 250 nits (Optional for 1000 nits)
- Front IP65 Dust/ Water proof design with VESA mount
- Aluminum Housing with Anti-Corrosion Treatments
- Built-in ambient Light sensor
- Wide Range 9 to 36V DC Input with isolation
- Optional 6-60V DC Input, and Optional for Ignition On/Off delay
- 5 Wire Resistive Touch / Anti-Reflective Protection Glass (Optional) Optional
- GPS, WWAN/WLAN(Either one). GPIO/Canbus(Either one)

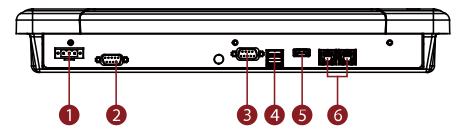


Product Specifications:

Display	Model Name	WPC15i5
	Size	15"
	Resolution (pixels)	1024 x 768
	Number of Colors	16.2 M (8 bit) / 262K (6 bit)
	Brightness (nits)	250, Optional
	Contrast Ratio	1000 2000:1
	Viewing Angle	-88~88 (H) ; -88~88 (V)
	Active Area	304.1 (H) x 228.1 (V)
	Touch	5 Wire Resistive(Default)
	System	Processor
Memory		1x DDR4 2133 MHz, 4GB (optional 8-16GB)
Ethernet		2x Giga LAN RJ45 Connector
Storage		1x M.2 2242 SSD 64GB (optional 128-512GB)
Expansion Slot		1 x Mini PCIe slot (for wireless module) 1 x Mini PCIe slot (for SATA SSD)
Input / Output	2 x USB 3.0	
	1 x HDMI 1.4 (Optional)	
	1 x RS-232	
	1 x RS-232/422/485	
	1 x 9~36V Terminal Block	
	1 x CanBus / Digital IO (Optional)	
	1 x SIM Card Slot (Optional)	
Environment	Operating Temperature	-15 ~ 55°C
	Storage Temperature	-30 ~ 70°C
	Humidity	10 ~ 90% non-condensing
	Shock	MIL810F/EN50155
	Vibration	MIL810F/EN50155
	EMC	CE, FCC ClassB, MIL-STD 810F
	Security	TPM 2.0
Driver OS Support	Windows 10 IoT-E (Pro)	
Mechanical	Dimension (W x H x D)	398 x 308 x 58 mm
	Weight	4.7 Kgs
Product Optional Items	Mounting bracket	One robust bracket with locking handle (Can adjust from -5 deg. to 90 deg.)
	Sunlight Readable	Transflective film enhancement for optional
	Anti-reflective Glass	3 mm (Replace touch)
	WLAN / 4G / GPS	Either one
	Bluetooth	optional
	Digital IO / Canbus	Either one

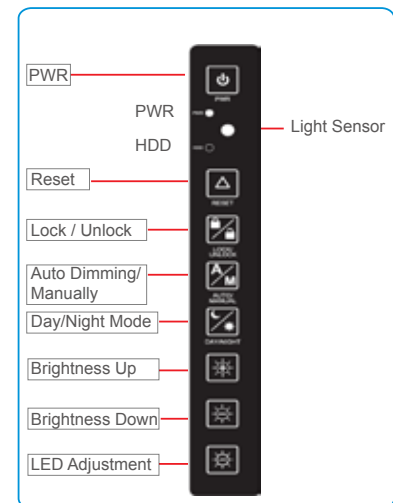


I / O View:

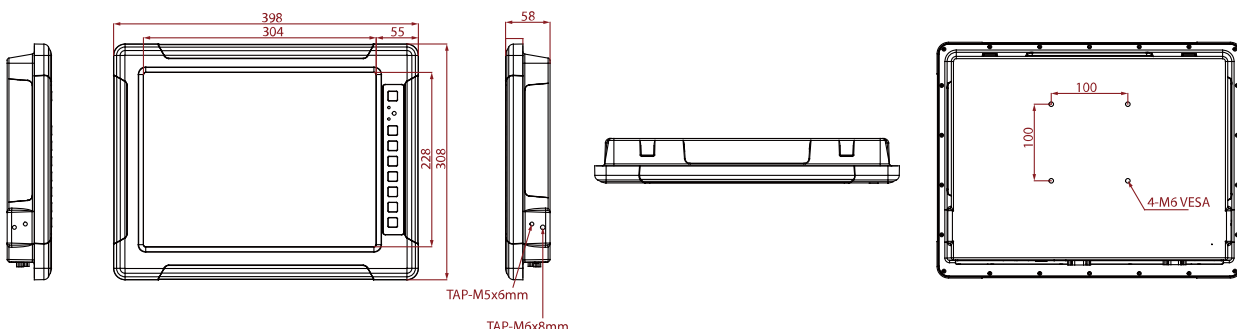


- ① Power Input
- ② COM
- ③ COM
- ④ USB
- ⑤ HDMI
- ⑥ LAN

Front OSD Control Function:



Drawing w / Mounting bracket:



WETIF Industrie EDV
Senserstraße 3
D - 82140 Olching

Telefon DE +49 8142 448976-1
Telefax DE +49 8142 448976-4
Internet www.WETIF.com

Telefon AT +43 664 2868223
Telefax AT +43 662 998799411
eMail info@wetif.com