

Rugged Panel PC: WPC10i5



Product Features:

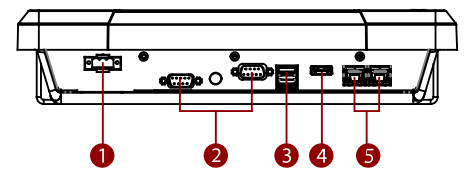
- 7th Generation (kaby Lake) Intel Core i5-7200U 2.5GHz (turbo to 3.1GHz)
- High Quality 10.4" Panel, 1024 x 768 resolution
- Full IP65 Dust / Water Proof Enclosures (Except I/O parts)
- Aluminum Housing with Anti-Corrosion Treatments
- Anti-Shock and Vibration Standard according to MIL-STD-810F/G & IEC60068-2-27
- 5 Wire Resistive / Anti-Reflective Protection Glass (Optional)
- Wide Range 9 to 36V DC Input with isolation
- Compliance with EN50155 for EMC & Characteristic

Product Specifications:

Display	Model Name	WPC10
	Size	10.4"
	Resolution (pixels)	1024 x 768
	Number of Colors	16.2M (6 bits+FRC)
	Brightness (cd/m ²)	350 (typ.)
	Contrast Ratio	1200 :1 (typ.)
	Viewing Angle	-88~88 (H) ; -88~88 (V)
System	Active Area	210.4 (H) x 157.8 (V)
	Touch	5 Wire Resistive
	Processor	Intel Core i5-7200U 2.5GHz (turbo to 3.1GHz)
	BIOS	Insyde BIOS
	Memory	1x DDR4-2133MHz 4GB, option up to 16GB
	Ethernet	Intel [®] Ethernet Controller 1211-AT + Intel [®] Gigabit Ethernet PHY 1219-LM
	Storage	64GB M.2 B Key SATA III SSD (Options up to 512GB)
Input / Output	Expansion Slot	1 x M.2 E Key
	Back Panel I/O Port	2 x RJ-45 (10/100/1000 Mbps)
		1 x HDMI (Optional)
		1 x DC-in Jack (Phoenix type)
		2 x USB 3.0
		1 x RS232/422/485 (Select by BIOS) , 1 x RS232
		WLAN antenna SMA in top (Optional)
Environment	Operating Temperature	-25 deg.C to 55 deg.C
	Storage Temperature	-30 deg C to 70 deg C
	Humidity	10% to 90% (non condensing)
	Shock*	Operating:30g for 18ms, 300m/s ²
	Vibration*	Operating: 1.60/1.96/2.18 g rms for XYZ / 5-500Hz
	Power Input	9~36V DC in with isolation
	Power Consumption	Optional 6-60V DC in, with Ignition On/Off delay 32W typ.
Mechanical	Dimensions (W x L x H)	315 mm x 250 mm x 67 mm
	Approximate Weight	3.3Kg*
*Weight of this device will be more or less depending upon actual component configuration		
Driver OS Support	Windows 10 IoT Enterprise	
Packing List	(IK32) SBC Manual & Driver CD	
Product Optional Items	Mounting Bracket and Kits	One robust bracket with locking handle (Can adjust from -5 deg.C to 90 deg.C)
	Sunlight Readable	Transflective film enhancement for optional
	Anti-reflective Glass	3 mm (Replace touch)
	WLAN	WLAN802.11a/b/g/n/ac
Security Support	Trusted Platform Module (TPM 2.0)	

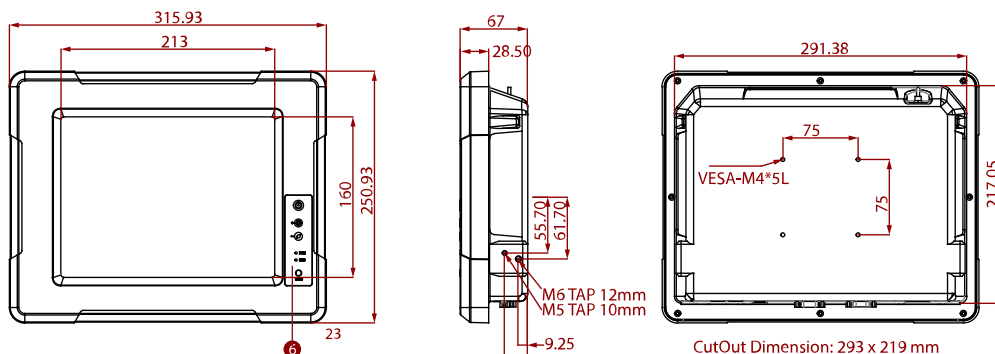
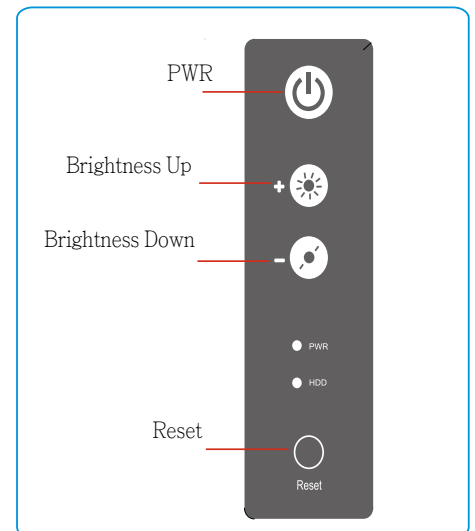


I / O View:



- ① Power Input
- ② COM
- ③ USB
- ④ HDMI
- ⑤ LAN
- ⑥ OSD Control Panel

Front OSD Control Function:



Technische Änderungen und Irrtum ohne Vorankündigung vorbehalten! Alle Rechte geschützt!



WETIF Industrie EDV
Senserstrasse 3
D - 82140 Olching

Telefon +49 8142 448976-0
Telefax +49 8142 448976-4
Mobil +49 172 817 44 11

Email info@wetif.com
Internet www.wetif.com