

# Industrie- Stapler PC VMT12K

12.1", Resistive capacitive Touch, BayTrial Platform, Integrated Numeric and Function Keys, Windows 7/10, Vehicle Mount Computer



A: Audio out  
B: COM3  
C: COM2  
D: COM1  
E: USB2.0  
F: USB3.0  
G: LAN  
H: SIM Card Slot  
I: DC Power Inlet



## Introduction

VMT12K is the latest generation of ruggedized vehicle mounted computer that comes with Intel Baytrial platform processor and Windows Embedded Standard or Professional operating system. The VT-858K harnesses full Microsoft® Windows® computing power in a mobile environment, optimizing application and network management compatibility, while remaining flexible enough to run multiple advanced applications. VMT12K assembly 12.1-inch industrial resistive touch screen which using high-temperature process, built-in 802.11 a/b/g/n/ac, Bluetooth V4.0, full netcom LTE / 3.5G, GPS/GNSS/Beidou, CAN2.0B modules, 8~36V wide-range DC input with power ignition function adapt it to the warehousing forklift, logistics, container trucks and so on. Meet the STD-MIL-810G of anti-shock and vibration, IP65 dust and water proof standard make it operating freely in the most demanding environment.

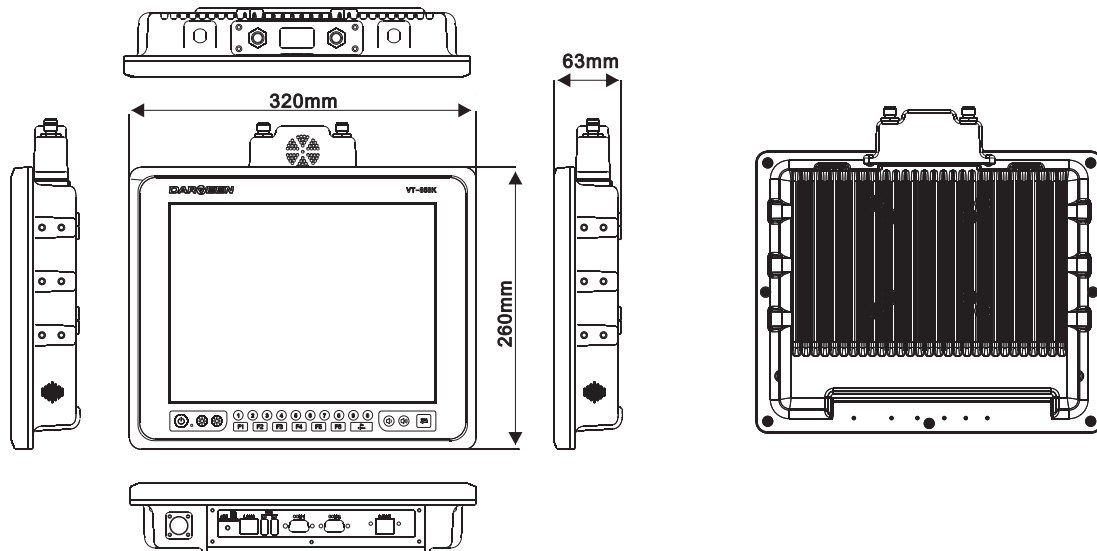
## Features

- 12.1" LED backlight panel with resistive capacitive touchscreen
- Rugged aluminum enclosure and fanless design
- IP65 dust/water protection
- Front panel intergrated Numeric and Function keys
- Meet MIL-STD 810G standard anti-vibration shock
- Wide range 8-36V DC Power input with ignition control
- VESA 75 and 100 standard mounting
- Flexible expansion capability for WiFi, Bluetooth, LTE, GPS, CAN2.0B



# Industrie- Stapler PC VMT12K

## Dimensions



## Specifications

### System

Processor	Intel® Quad-Core Celeron J1900 (2.0GHz) Intel® Quad-Core Atom E3845 (1.91GHz)
System Memory	4GB SO-DIMM DDR3L-1333 (up to 8GB)
Storage	32GB mSATA SSD (up to 256GB)
Operating System	Windows 10 IoT Enterprise Windows 7 Professional Windows Embedded Standard 7

### Display

Size	12.1-inch
Resolution	1024 x 768
Brightness	500 nits
Backlight	LED Backlight

### Touchscreen

Type	5-Wire Resistive Touchscreen optional: Multi-touch Capacitive Touchscreen
------	--

### Keypad & Keyboard

Keypad	Power On/Off Brightness and Volume Adjustment Power LED Indicator 0-9 Numeric Keys F1-F6 User-defined Function Keys Enter and Backspace
Keyboard	/

### RF Communication

WLAN	802.11a/b/g/n/ac (Optional)
WWAN	4G LTE (Optional)
Bluetooth	Bluetooth 4.0 (Optional)
GPS	SIRF III GPS/GLONASS (Optional) Beidou GPS (Optional) u-Blox GPS (Optional, 2.5 meters positioning accuracy)

### Mechanical

Housing	Aluminum
Dimension (W x L x H)	320 x 260 x 66 mm
Weight	4 Kg

Technische Änderungen und Irrtum ohne Vorankündigung vorbehalten! Alle Rechte geschützt!

### I/O

Series Port	1 x RS-232/422/485 (COM1, full-function, Pin 9 function can be set to RI, 5V or 12V by jumper) 1 x RS-232 (COM2, full-function, Pin9 function can be set to RI or 5V by jumper) 1 x RS-232 (COM3, 3-wire)"
USB Port	1 x USB2.0 1 x USB3.0
LAN Port	1 x GbE LAN (RJ-45)
DI/DO	4DI/2DO (Optional, with 3.3V power, substitute COM2)
CAN Bus	2 x CAN2.0B (Optional, compatible CAN2.0A, support J1939 protocol and in accordance with ISO 11898-1/2/3, substitute COM2)
Others	1 x SIM Card Slot (push and push) 1 x Power Connector 2/3/4 x TNC Connector for External Antenna (WiFi, Bluetooth, WWAN, GPS)

### Audio

Speaker	2 x Speaker (8ohm, 2w)
---------	------------------------

### Power Management

Power Input	8-36V DC
Power Consumption	20W typ.
Ignition On/Off	Power on delay, default 10 seconds; Power off delay, default 10 seconds; (On/Off delay time can be changed via BIOS setting); Hardware power off delay 70 seconds after ignition off;
UPS Battery	TBD

### Environmental

Operating Temperature	-20~60°C
Relative Humidity	5%-95%, non-condensing
IP Proof	IP65 (I/O interface must be closed)
Shock and Vibration	Shock: MIL-STD-810G Method 516.6 Procedure I Vibration: MIL-STD-810G Method 514.6 Procedure I
Certifications	CE, FCC



WETIF Industrie EDV  
Senserstrasse 3  
D - 82140 Olching

Telefon +49 8142 448976-0  
Telefax +49 8142 448976-4  
Mobil +49 172 817 44 11

Email [info@wetif.com](mailto:info@wetif.com)  
Internet [www.wetif.com](http://www.wetif.com)