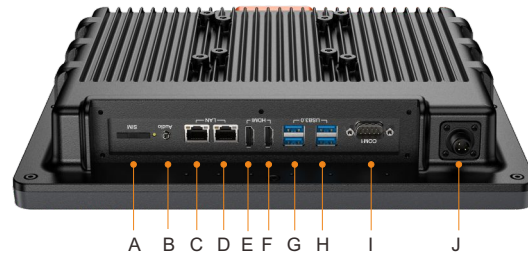


VT-859K

12.1" Resistive / Capacitive Touch, Intel i5-8265U, Windows 10/11, WiFi6 / Bluetooth5.0 / 4G / 5G / GPS, Vehicle Mount Computer



A:SIM
B:Audio
C:LAN
D:LAN
E:HDMI
F:HDMI
G:USB 3.0
H:USB 3.0
I:COM
J:DC Power Inlet



Introduction

VT-859K is the latest generation of ruggedized vehicle mounted computer that comes with Intel Whiskey Lake-U platform processor and Windows10 or Windows 11 operating system. It harnesses full Microsoft® Windows® computing power in a mobile environment, optimizes application and network management compatibility while remaining flexible enough to run multiple advanced applications.

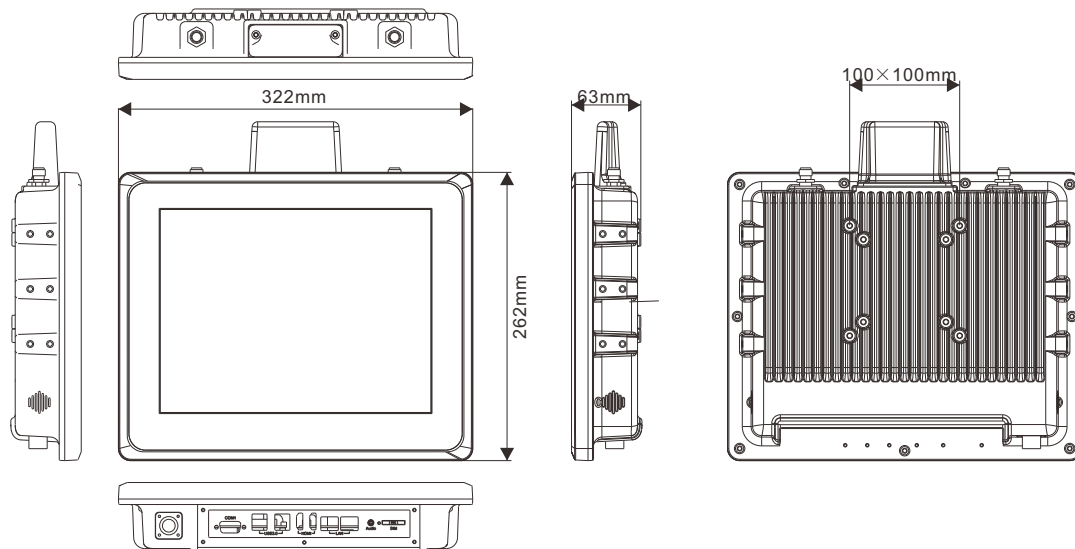
VT-859K incorporates 12.1-inch industrial resistive/capacitive touchscreen, 8~36V wide-range DC input, optional WiFi6, Bluetooth5.0, 4G LTE/5G, GPS/GNSS/Beidou that adapt itself to application in warehousing forklift, logistics, container trucks and so on. It meets the STD-MIL-810G of anti-shock and anti-vibration, IP65 standard of dust and water proof that enable it operating freely in the most demanding environment.

Features

- 12.1" LED backlight panel with resistive / capacitive touchscreen
- Rugged aluminum enclosure and fanless design
- IP65 dust/water protection
- Front panel intergrated Numeric and Function keys
- Meet MIL-STD 810G standard anti-vibration shock
- Wide range 8-36V DC Power input with ignition control
- VESA 75 and 100 standard mounting
- Flexible expansion capability for WiFi6, Bluetooth 5.0, LTE/5G, GPS



Dimensions



Specifications

System

Processor	Intel® Core i5-8265U (1.6GHz)
System Memory	8GB SO-DIMM DDR4-2400 (up to 16GB)
Storage	256GB M.2 SSD (up to 1TB)
Operating System	Windows 10 IoT Enterprise LTSC Windows 11

Display

Size	12.1-inch
Resolution	1024 x 768
Brightness	400 nits
Backlight	LED Backlight

Touch Screen

Type	VT-859K: 5-Wire Resistive Touchscreen VT-859KC: Capacitive Touchscreen
------	---

Keypad & Keyboard

Keypad	Power On/Off Brightness and Volume Adjustment Power LED Indicator 0-9 Numeric Keys F1-F6 User-defined Function Keys Enter and Backspace
--------	--

RF Communication

WLAN	WiFi 6: 802.11a/b/g/n/ac/ax
WWAN	4G LTE (Optional) 5G NSA/SA (Optional)
Bluetooth	Bluetooth 5.0
GPS	Ublox M8, support GPS/GLONASS/Galileo/ Beidou (Optional)

I/O

Series Port	1 x RS-232/485 (COM1, RS232_Full-function, RS232/485 setting via jumper, Pin9 can be set to 5V by request)
USB Port	4 x USB3.0
LAN Port	2 x GbE LAN (RJ45)
Others	2x HDMI 1 x Audio (Mic-in/Line-out) 1 x SIM Card Slot (push and push) 1 x Power Connector 2-4 x TNC Connectors for External Antenna (WiFi, Bluetooth, WWAN, GPS)

Audio

Speaker	2 x Speaker (8ohm, 2w)
---------	------------------------

Power Management

Power Input	8-36V DC
Power Consumption	25W typ.

Environmental

Operating Temperature	-20~60°C
Relative Humidity	5%-95%, non-condensing
IP Proof	IP65 (I/O interface must be closed)
Shock and Vibration	Shock: MIL-STD-810G Method 516.6 Procedure I Vibration: MIL-STD-810G Method 514.6 Procedure I
Certifications	CE, FCC

Mechanical

Housing	Aluminum
Dimension (W x L x H)	322 x 262 x 63 mm
Weight	3.8 Kg

Technische Änderungen und Irrtum ohne Vorankündigung vorbehalten! Alle Rechte geschützt!