

## 12.1" Android 11 Vehicle Mount Computer with RK3399 Processor

### Overview

The VT-840A is a rugged 12.1-inch Android-based vehicle mount computer specifically designed for trucks, buses, forklifts, and various other applications. The VT-840A features a high-performance 6-core processor, an integrated 12.1-inch TFT LCD display with a projective capacitive touchscreen for enhanced usability. It also comes with built-in Wi-Fi 5, Bluetooth 4.2, 4G LTE/5G, and GNSS modules, enabling seamless real-time communication connections. The VT-840A boasts a fanless design, ensuring efficient cooling, and supports a wide temperature range and wide-range DC input. It is MIL-STD compliant and IP65 waterproof and dustproof, allowing it to withstand harsh operating conditions.

### Features

- 12.1" TFT-LCD with projective capacitive touchscreen
- Front panel integrated with numeric and function key control
- Rugged aluminum enclosure and fanless design
- IP65 protection against water and dust
- Compliant with MIL-STD-810G vibration testing standards
- Wide range 8-36VDC power input with ignition control
- Flexible expansion capability for Wi-Fi 5, Bluetooth 4.2, LTE/5G, GNSS



### I/O Interfaces

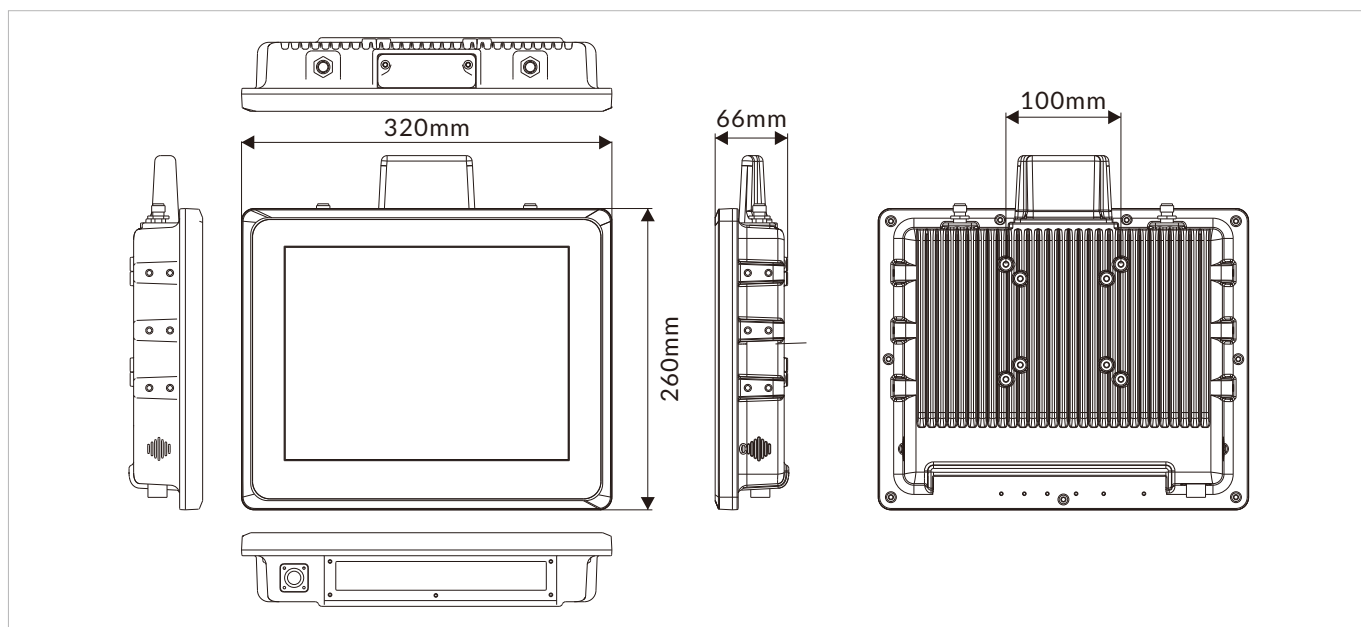


## Specifications

<b>Display</b>	
Size	12.1 inch (4:3)
Touch Type	Projected capacitive multi touch
Display Type	TFT LCD
Resolution	1024 x 768
Luminance	500 nits
Contrast Ratio	700: 1
View Angles	80 (left), 80 (right), 80 (up), 80 (down)
Color	16.2M
<b>System</b>	
CPU	Rockchip RK3399, dual core A72 + quad core A53 (1.8 GHz)
Memory	4GB DDR4-1866 on board
Storage	32GB EMMC on board
<b>Keypad &amp; Keyboard</b>	
Keypad	Power On/Off Brightness and volume adjustment 0-9 numeric, Enter and Backspace F1-F6 user-defined function keys, Power LED indicator
<b>I/O Ports</b>	
USB	1x USB 2.0/OTG (Type A), 3x USB 2.0 (Type A)
Serial	1x RS-232 (DB9)
Ethernet	1x GbE LAN (RJ45)
SIM Card Slot	1x Nano SIM Socket
TF Card Slot	1x TF Socket (up to 128GB)
Antenna	2 to 4x TNC connector for external antenna (Wi-Fi, Bluetooth, WWAN, GNSS)
<b>RF Communication</b>	
Wi-Fi	Wi-Fi 5: 802.11a/b/g/n/ac, 2.4G/5G
Cellular	4G, LTE 5G, NSA/SA (optional)
Bluetooth	Bluetooth 4.2
GNSS	GPS, GLONASS, Galileo, BeiDou
<b>Audio</b>	
Speaker	8Ω/2W, dual studio speakers
<b>Power</b>	
DC Input	8 to 36VDC
Power Consumption	14W (Typ.)
Power Mode	ATX (default), AT
<b>Operating System</b>	
Android	Android 11
<b>Mechanical</b>	
Dimensions (W x D x H)	320 x 260 x 66 mm (12.6 x 10.24 x 2.6 inches)
Weight (N.W.)	3.8 kg (8.4 lbs)
Mounting Mode	VESA 75 and 100
Material	Die-casting Aluminum with Heavy Duty Metal
<b>Environment</b>	
Operating Temperature	-20 to 60°C (-4 to 140°F)
Storage Temperature	-40 to 70°C (-40 to 158°F)
Relative Humidity	95% @ 70°C (158°F), non-condensing
Shock	MIL-STD-810G Method 516.6 Procedure I
Vibration	MIL-STD-810G Method 514.6 Procedure I
IP Rating	IP65 compliant (I/O interface must be closed)
<b>Certification</b>	
EMC	CE, FCC

# VT-840A

## Dimensions



Technische Änderungen und Irrtum ohne Vorankündigung vorbehalten! Alle Rechte geschützt!

**WETIF**  
industrie edv

WETIF Industrie EDV  
Senserstrasse 3  
D - 82140 Olching

Telefon +49 8142 448976-0  
Telefax +49 8142 448976-4  
InfoTel +49 8142 448976-3

Email [info@wetif.com](mailto:info@wetif.com)  
Internet [www.wetif.com](http://www.wetif.com)