

# Android-Stapler PC: VMT10A/ VMT12A

10.4/ 12.1-inch LCD w/ Capacitive Multi-touch, High-performance 6-core Platform, Android 7.1, Vehicle Mount Computer

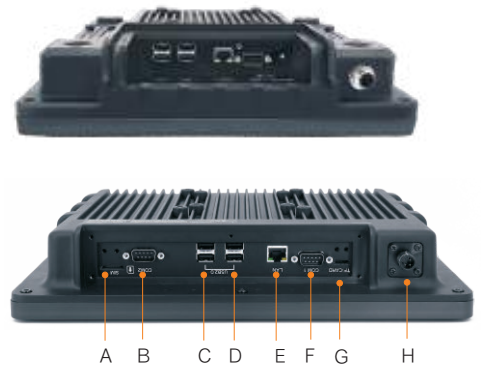


## Introduction

VMT10A/ VMT12A are a 10.4/ 12.1-inch smart vehicle terminal designed for trucks, RTG, OTG and other applications. All VMT products are fanless and wide temperature and wide pressure design. They are equipped with high-performance 6-core processor, integrated 10.4/ 12.1-inch high-definition touch screens and optional Wi-Fi, LTE, GPS, Bluetooth and other wireless communication to provide real-time communication connection. Support serial port, USB, Ethernet port Extensive interface. Through a special mounting bracket can be easily installed in the vehicle limited space

## Features

- 10.4/ 12.1-inch(1024x768) LCD with capacitive touchscreen
- High-performance 6-core processor, up to 1.8GHz
- Front panel intergrated numeric and function keys Rugged
- aluminum enclosure and fanless design
- Full IP65 dust/water protection
- Wide range 8-36V DC Power input
- VESA 75 and 100 standard mounting
- Flexible expansion capability for WiFi, Bluetooth, LTE, GPS

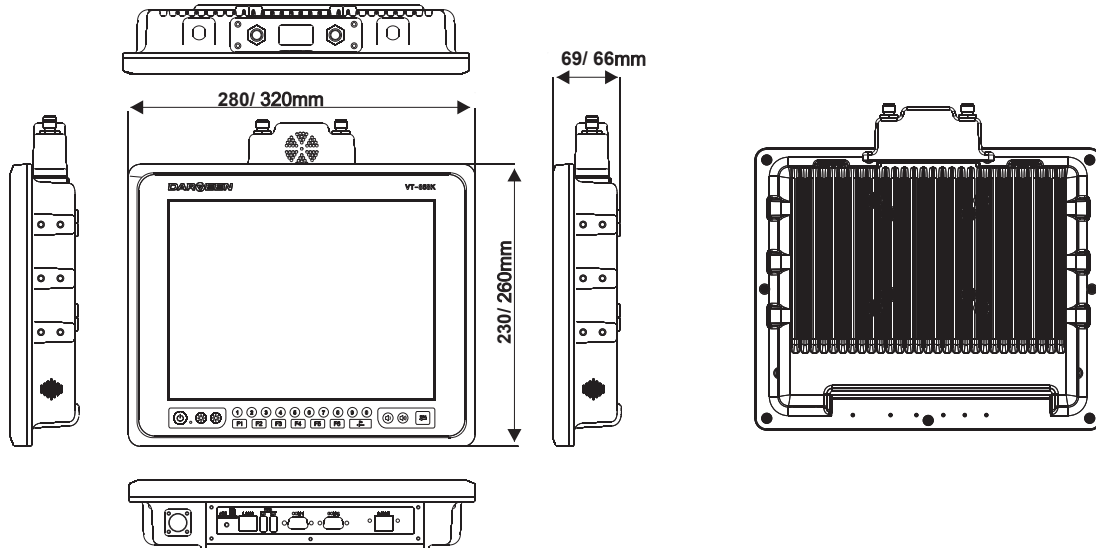


- |           |                   |
|-----------|-------------------|
| A: SIM    | E: LAN            |
| B: COM2   | F: COM1           |
| C: USB2.0 | G: TF-CARD        |
| D: USB3.0 | H: DC Power Inlet |



# VMT10A/ VMT12A

## Dimensions



## Specifications

### System

Processor	ARM Dual-core A72 + Quad-core A53, up to 1.8GHz
RAM	2GB LPDDR3
Flash Memory	16GB EMMC
Expansion Slot	1 x TF Card, up to 128GB
Operation System	Android 7.1

### Display

Size	10.4/ 12.1-Inch
LCD panel	Industry Grade
Resolution(H x V)	1024 x 768
Brightness	450/ 500cd/m <sup>2</sup>
Backlight	LED Backlight
Touchscreen	Capacitive

### Wireless

WLAN	802.11 a/b/g/n/ac (2.4/5GHz)
Bluetooth	Bluetooth V4.2
GPS	GPS/BeiDou/Galileo/GLONASS (Optional)
WWAN	LTE (Optional)

### I/O Ports

COM Port	1 x RS232
USB	1 x USB3.0 3 x USB2.0
Ethernet	1 x 1000M RJ45
SIM	1 x SIM card slot

### Button

Power ON/OFF, Lock/Unlock,  
Brightness UP/DOWN,  
Volume UP/DOWN,  
F1-F6 Function

**For VMT12A additionally:**  
0-9 Numeric, Enter, Backspace

### Audio

Speaker	2 x 8Ω/2W
---------	-----------

### Power Management

Power Input	8~36VDC
ACC	-
Power Consumption	10W/ 12W typ.

### Environmental

Operating Temperature	-20°C~60°C
Storage Temperature	-30°C~70°C
IP Protection Level	IP65
Standard Mounting	VESA 75 + 100
Testing standard	MIL-STD 810G
Authentication	CE FCC

### Mechanical

Dimension	278 x 229 x 69/ 320 x 260 x 66 mm
Weight	3.8/ 4 kg



DC-DC Power Adapter



Vehicle Mounting Kits



Vehicle Mounting Kits



IP65 Keyboard



High-gain WiFi Antenna



GPS Antenna



Scanner



Shade Cover

**WETIF**  
industrie edv

WETIF Industrie EDV  
Senserstrasse 3  
D - 82140 Olching

Telefon +49 8142 448976-0  
Telefax +49 8142 448976-4  
Mobil +49 172 817 44 11

Email [info@wetif.com](mailto:info@wetif.com)  
Internet [www.wetif.com](http://www.wetif.com)